



ZSP4423
Electroluminescent Lamp Driver
Low Power Applications
Datasheet

Revision 2.00
June 10th, 2015





IMPORTANT NOTICE

Copyright © 2005-2015 ASIX Electronics Corporation. All rights reserved.

DISCLAIMER

No part of this document may be reproduced or transmitted in any form or by any means, electronic or mechanical, including photocopying and recording, for any purpose, without the express written permission of ASIX. ASIX may make changes to the product specifications and descriptions in this document at any time, without notice.

ASIX provides this document “as is” without warranty of any kind, either expressed or implied, including without limitation warranties of merchantability, fitness for a particular purpose, and non-infringement.

Designers must not rely on the absence or characteristics of any features or registers marked “reserved”, “undefined” or “NC”. ASIX reserves these for future definition and shall have no responsibility whatsoever for conflicts or incompatibilities arising from future changes to them. Always contact ASIX to get the latest document before starting a design of ASIX products.

TRADEMARKS

ASIX, the ASIX logo are registered trademarks of ASIX Electronics Corporation. All other trademarks are the property of their respective owners.

Features

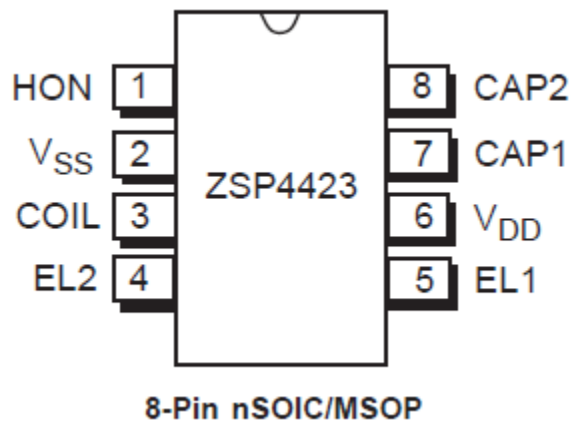
- +2.2V to +5.0V battery operation
- 10nA typical standby current
- High voltage output typical 150V_{PP}
- Internal oscillator

Applications

- PDAs
- MP3 players
- Cellular phones
- Remote controls
- Handheld computers

General Description

The ZSP4423 is a high voltage output DC-AC converter that can operate from a +2.2V to +5.0V power supply. The ZSP4423 is designed with our proprietary high voltage BiCMOS technology and is capable of supplying typical 150V_{PP} signals, making it ideal for driving small electroluminescent lamps. The device features 10nA (typical) standby current, for use in low power portable products. An inductor is used to generate the high voltage, and an external capacitor is used to select the oscillator frequency. The ZSP4423 is offered in an 8-pin narrow SOIC package or an 8-pin MSOP package. For delivery in die form, please consult the factory.





Absolute Maximum Ratings

These are stress ratings only and functional operation of the device at these ratings or any other above those indicated in the operation sections of the specifications is not implied. Exposure to absolute maximum rating conditions for extended periods of time may affect reliability.

V_{DD} +7.0V

Input Voltages/Currents

HON (pin 1) -0.5V to (V_{DD} +0.5V)
 COIL (pin 3) 60mA
 Lamp Output..... 230V_{pp}

Operating Temperature..... -40°C to +85°C

Storage Temperature..... -65°C to +150°C

Power Dissipation Per Package

8-pin nSOIC (derate 6.14mW/°C above +70°C)500mW
 8-pin MSOP (derate 4.85mW/°C above +70°C)400mW

Storage Considerations

Storage in a low humidity environment is preferred. Large high density plastic packages are moisture sensitive and should be stored in Dry Vapor Barrier Bags. Prior to usage, the parts should remain bagged and stored below 40°C and 60%RH. If the parts are removed from the bag, they should be used within 168 hours or stored in an environment at or below 20%RH. If the above conditions cannot be followed, the parts should be baked for 12 hours at 125°C in order to remove moisture prior to soldering. ASIX ships product in Dry Vapor Barrier Bags with a humidity indicator card and desiccant pack. The humidity indicator should be below 30%RH. The MSL of this product is 3.

The information furnished by ASIX has been carefully reviewed for accuracy and reliability. Its application or use, however, is solely the responsibility of the user. No responsibility of the use of this information become part of the terms and conditions of any subsequent sales agreement with ASIX. Specifications are subject to change without the responsibility for any infringement of patents or other rights of third parties which may result from its use. No license or proprietary rights are granted by implication or otherwise under any patent or patent rights of ASIX Electronics Corporation.



1 Electrical Characteristics

$T_A = +25^\circ\text{C}$, $V_{DD} = +3.0\text{V}$, $C_{LAMP} = 6000\text{pF}$, $\text{Coil} = 20\text{mH}$ ($R_s = 70\Omega$); $C_{OSC} = 150\text{pF}$, unless otherwise noted.

Symbol	Parameter	Condition	Min	Typ	Max	Units
V_{DD}	Supply Voltage		2.2	3.0	5.0	V
$I_{COIL} + I_{DD}$	Supply Current	$V_{DD} = +3.0\text{V}$, $V_{HON} = +3.0\text{V}$ $V_{DD} = +5.0\text{V}$, $V_{HON} = +5.0\text{V}$		5 12	12 40	 mA mA
V_{COIL}	Coil Voltage		V_{DD}		6.0	V
V_{HON}	HON Input Voltage LOW: EL off HIGH: EL on		-0.25 $V_{DD} - 0.25$	0 V_{DD}	0.25 $V_{DD} + 0.25$	 V V
I_{HON}	HON Current	$V_{HON} = V_{DD} = +3.0\text{V}$ $V_{HON} = V_{DD} = +5.0\text{V}$		25 50	60 120	 uA uA
$I_{SD} = I_{COIL} + I_{DD}$	Shutdown Current	$V_{DD} = +3.0\text{V}$, $V_{HON} = 0\text{V}$ $V_{DD} = +5.0\text{V}$, $V_{HON} = 0\text{V}$		10 0.3	200 1	 nA uA
INDUCTOR DRIVE						
$f_{COIL} = f_{LAMP} \times 32$	Coil Frequency			9.6		KHz
	Coil Duty Cycle			75		%
$I_{PK-COIL}$	Peak Coil Current	Guaranteed by design			60	mA
EL LAMP OUTPUT						
f_{LAMP}	EL Lamp Frequency	$V_{DD} = +3.0\text{V}$	200	300	500	Hz
V_{PP}	Peak-to-Peak Output Voltage	$V_{DD} = +3.0\text{V}$	110	150		V

2 Block Diagram

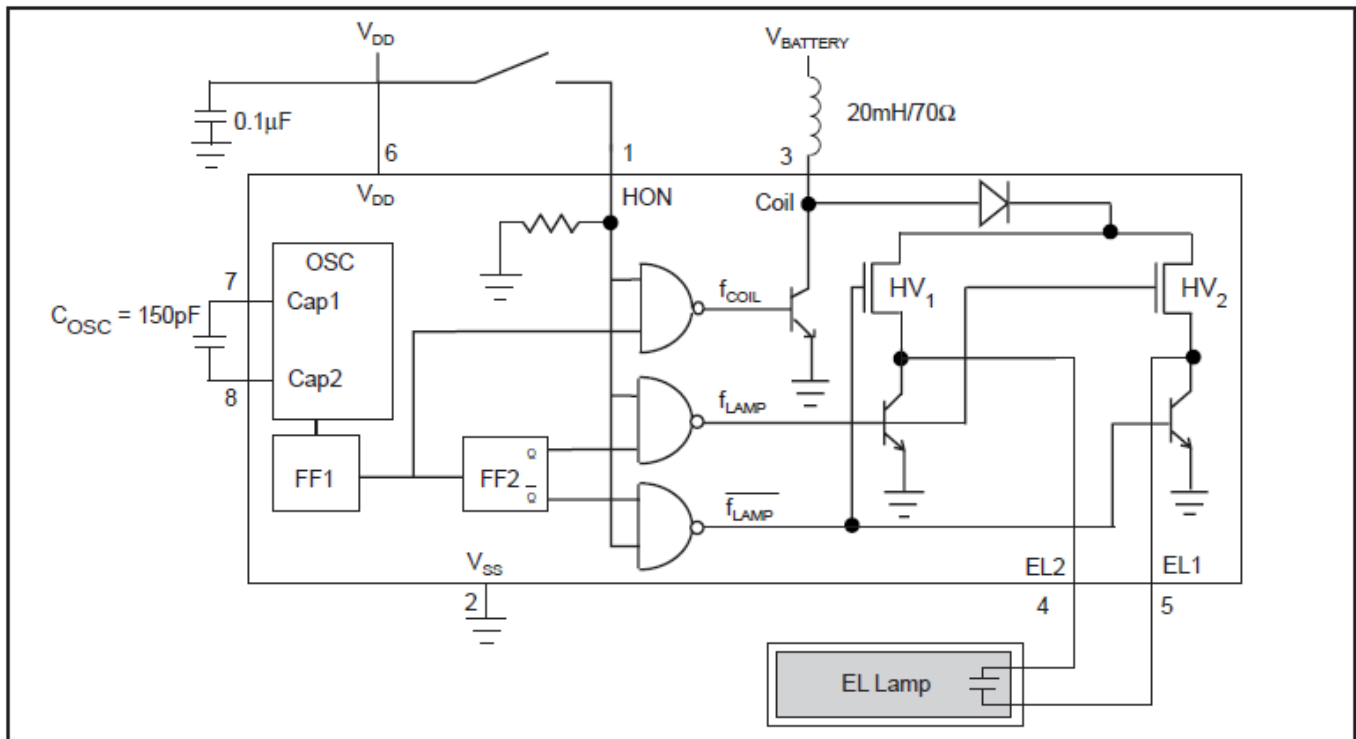
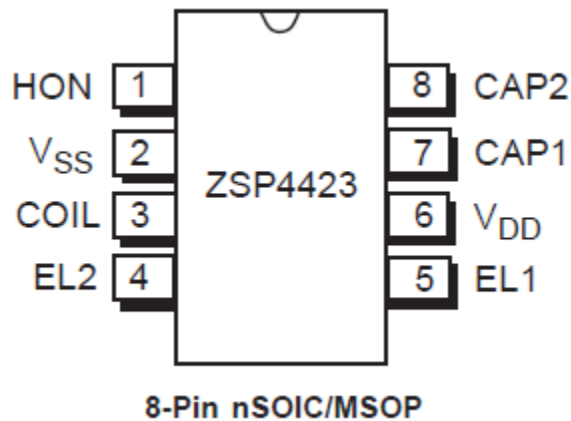


Figure 1. ZSP4423 Block Diagram

3 Pin Description

Pin Number	Pin Name	Pin Description
1	HON	Enable for driver operation: high = active; low = inactive.
2	V _{SS}	Power supply common: connect to ground.
3	COIL	Coil input: connect coil from V _{DD} to this pin.
4	EL2	Lamp driver output 2: connect to EL lamp.
5	EL1	Lamp driver output 1: connect to EL lamp.
6	V _{DD}	Power supply for driver: connect to system V _{DD} .
7	CAP1	Capacitor Input 1: connect to C _{osc} .
8	CAP2	Capacitor Input 2: connect to C _{osc} .

4 Pin Configuration



5 Circuit Description

The ZSP4423 is made up of three basic circuit elements, an oscillator, coil, and switched H-bridge network. The oscillator provides the device with an on-chip clock source used to control the charge and discharge phases for the coil and lamp. An external capacitor connected between pins 7 and 8 allows the user to vary the oscillator frequency from 32KHz to 400KHz. In general, increasing the COSC capacitor will increase the lamp output voltage and decrease the lamp frequency.

The suggested oscillator frequency is 64KHz (COSC = 150pF). The oscillator output is internally divided to create two internal control signals, fCOIL and fLAMP. The oscillator output is internally divided down by 8 flip-flops; a 64KHz signal will be divided into 8 frequencies; 32, 16, 8, 4, 2, 1, 0.5, and 0.25 Hz. The 3rd flip-flop output (8KHz) is used to drive the coil (see *Figure 1*) and the 8th flip flop output (250Hz) is used to drive the lamp. Although the oscillator frequency can be varied to optimize the lamp output, the ratio of fCOIL/fLAMP will always equal 32.

The on-chip oscillator of the ZSP4423 can be overdriven with an external clock source by removing the COSC capacitor and connecting a clock source to pin 8 (Cap 2). The clock should have a 50% duty cycle and range from VDD to ground. An external clock signal may be desirable in order to synchronize any parasitic switching noise with the system clock. The maximum external clock frequencies that can be supplied is 400KHz. The coil is an external component connected from VBATTERY to pin 3 of the ZSP4423. Energy is stored in the coil according to the equation $EL = 1/2LI^2$, where I is the peak current flowing in the inductor. The current in the inductor is time dependent and is set by the "ON" time of the coil switch: $I = (VL/L) \text{TON}$, where VL is the voltage across the inductor. At the moment the switch closes, the current in the inductor is zero and the entire supply voltage (minus the VSAT of the switch) is across the inductor. The current in the inductor will then ramp up at a linear rate. As the current in the inductor builds up, the voltage across the inductor will decrease due to the resistance of the coil and the "ON" resistance of the switch: $VL = VBATTERY - IRL - VSAT$. Since the voltage across the inductor is decreasing, the current ramp-rate also decreases which reduces the current in the coil at the end of TON the energy stored in the inductor per coil cycle and therefore the light output. The other important issue is that maximum current (saturation current) in the coil is set by the design and manufacturer of the coil. If the parameters of the application such as VBATTERY, L, RL or TON cause the current in the coil to increase beyond its rated ISAT, excessive heat will be generated and the power efficiency will decrease with no additional light output. The ASIX ZSP4423 is final tested using a 20mH/70Ω coil from CTC. For suggested coil sources, see "*Coil Manufacturers.*"

The supply VDD can range from +2.2V to +5.0V. It is not necessary that VDD = VBATTERY. VBATTERY should not exceed max coil current specification. The majority of the current goes through the coil and is typically much greater than IDD. The fCOIL signal controls a switch that connects the end of the coil at pin 3 to ground or to open circuit. The fCOIL signal is a 75% duty cycle signal, switching at 1/8 the oscillator frequency. For a 64KHz oscillator fCOIL is 8KHz. During the time when the fCOIL signal is high, the coil is connected from VBATTERY to ground and a charged magnetic field is created in the coil. During the low part of fCOIL, the ground connection is switched open, the field collapses and the energy in the inductor is forced to flow toward the high voltage H-bridge switches. fCOIL will send 16 of these charge pulses to the lamp, each pulse increases the voltage drop across the lamp in discrete steps. As the voltage potential approaches its maximum, the steps become shorter (see *Figure 4*).

The H-bridge consists of two proprietary low on-resistance high voltage switches. These two switches control the polarity of how the lamp is charged. The high voltage switches are controlled by the fLAMP signal which is the oscillator frequency divided by 256. For a 64KHz oscillator, fLAMP = 250Hz.

The direction of current flow is determined by which high voltage switch is enabled. One full cycle of the H-bridge will create 16 voltage steps from ground to 80V (typical) on pins 4 and 5 which are 180 degrees out of phase with each other (see *Figure 6*). A differential representation of the outputs is shown in *Figure 7*. To minimize AC interference it is advisable to use a decoupling filter capacitor between VDD and ground.

Electroluminescent Technology

What is Electroluminescence?

An EL lamp is basically a strip of plastic that is coated with a phosphorous material which emits light (fluoresces) when a high voltage (>40V) which was first applied across it, is removed or reversed. Long periods of DC voltages applied to the material tend to breakdown the material and reduce its lifetime. With these considerations in mind, the ideal signal to drive an EL lamp is a high voltage sine wave. Traditional approaches to achieving this type of waveform included discrete circuits incorporating a transformer, transistors, and several resistors and capacitors. This approach is large and bulky, and cannot be implemented in hand held equipment.

ASIX now offers low power single-chip driver circuits specifically designed to drive small to medium sized electroluminescent panels. All that is required is one external inductor and capacitor. Electroluminescent backlighting is ideal when used with LCD displays, keypads, or other backlit readouts. Its main use is to illuminate displays in dim to dark conditions for momentary periods of time. EL lamps typically consume less than LEDs or incandescent bulbs making them ideal for battery powered products. Also, EL lamps are able to evenly light an area without creating "hot spots" in the display. The amount of light emitted is a function of the voltage applied to the lamp, the frequency at which it is applied, the lamp material used and its size. There are many variables which can be optimized for specific applications.

6 Typical Application

Contact the factory for any technical or application support.

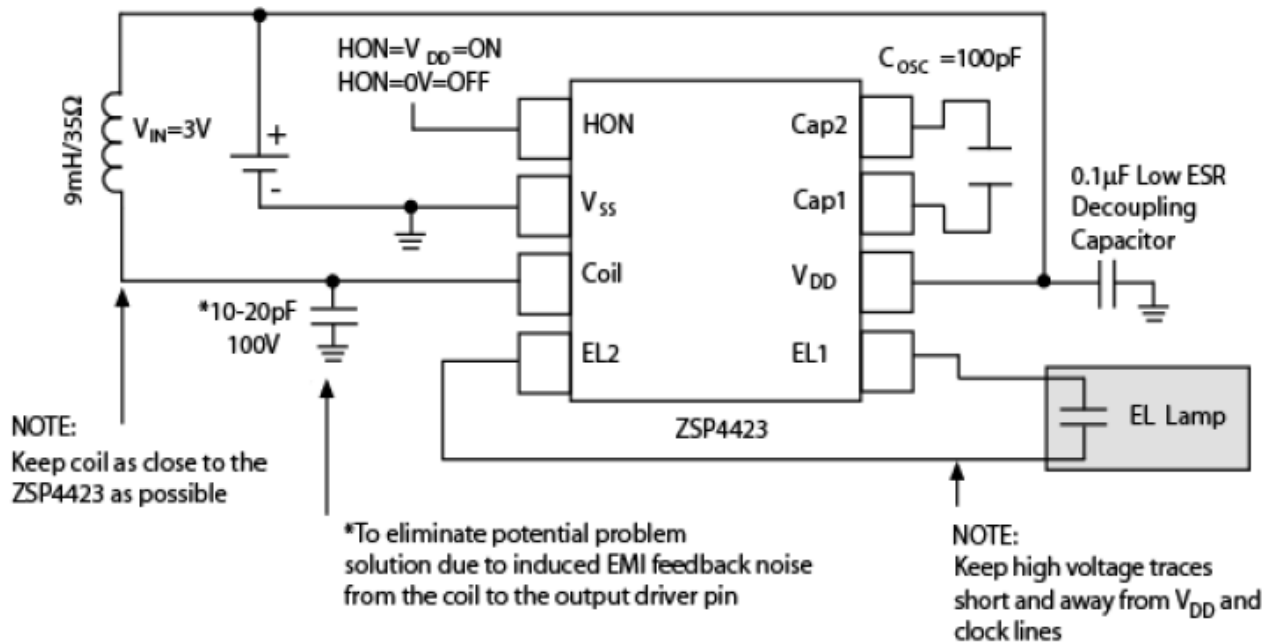


Figure 2. Typical Application Circuit

7 Test Circuit

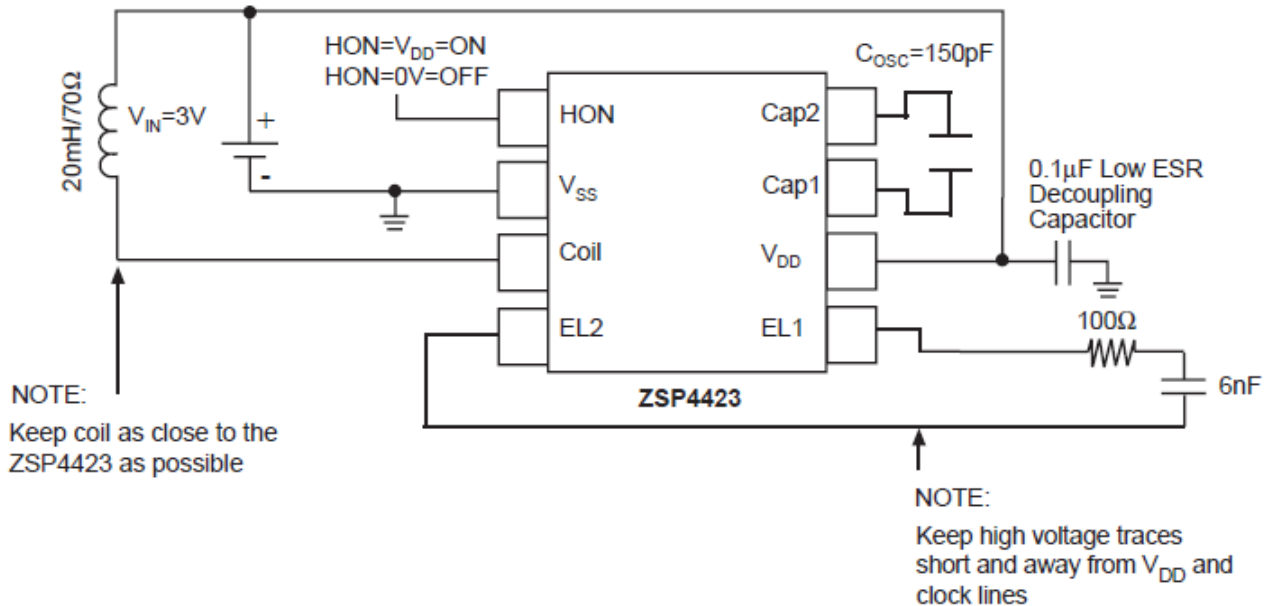


Figure 3. Test Circuit

8 Waveforms

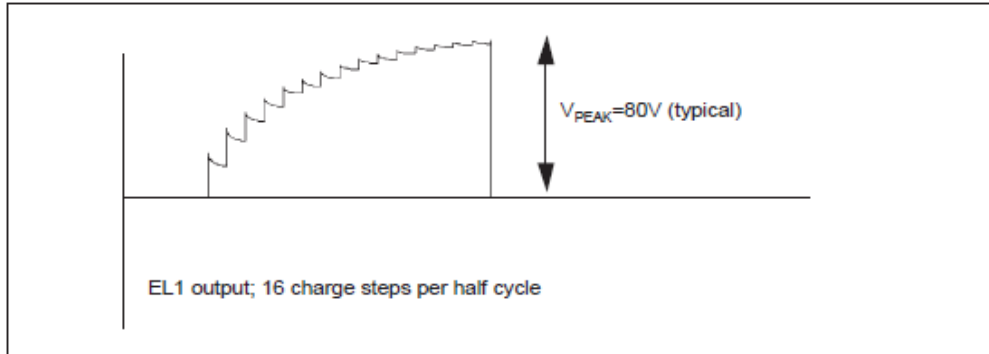


Figure 4. EL Output Voltage in Discrete Steps at EL1 Output

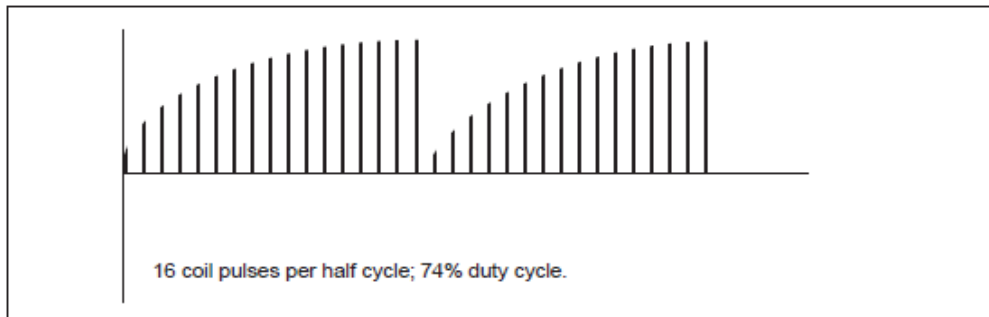


Figure 5. Voltage Pulses Released from the Coil to the EL Driver Circuitry

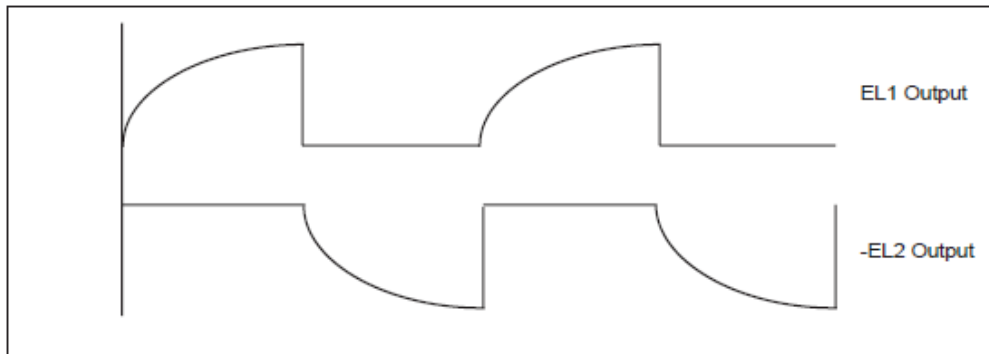


Figure 6. EL Voltage Waveforms from the EL1 and EL2 Outputs

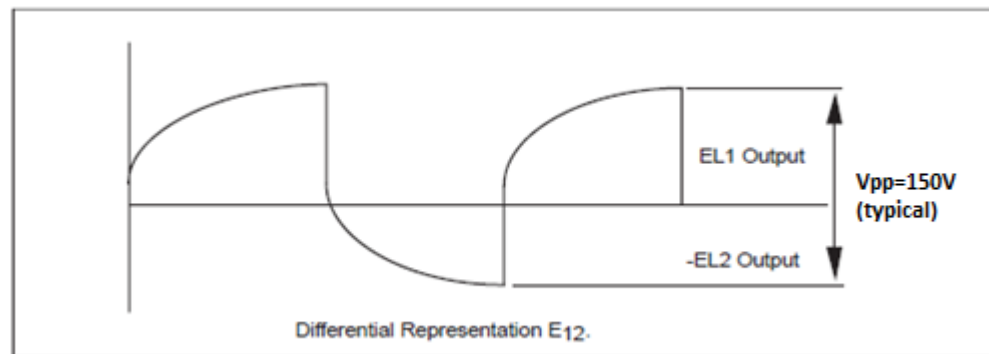
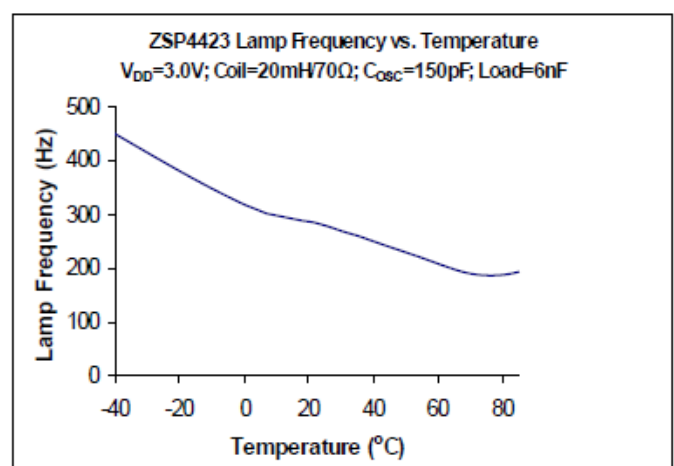
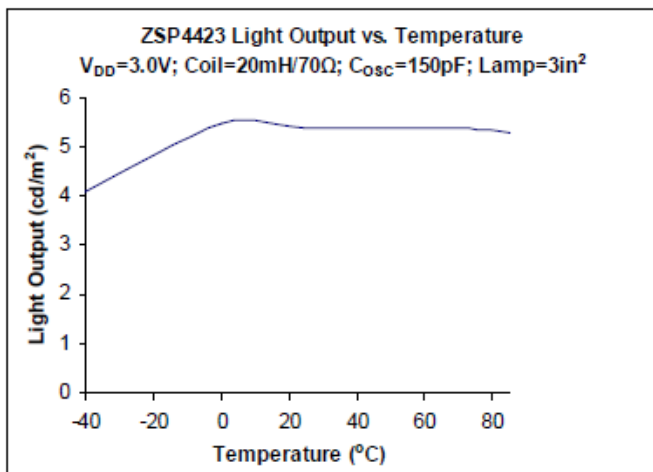
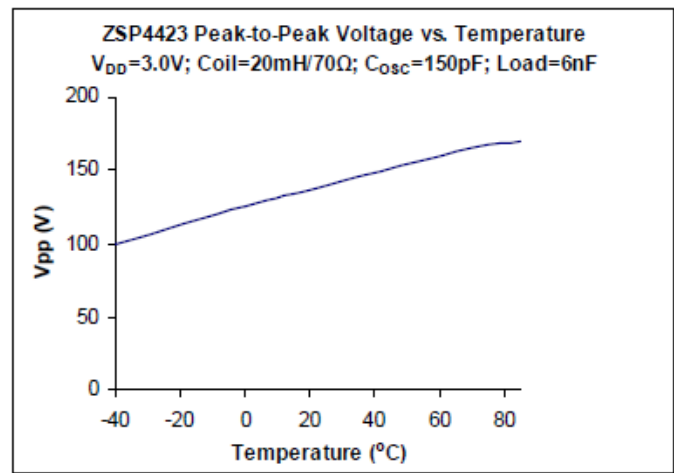
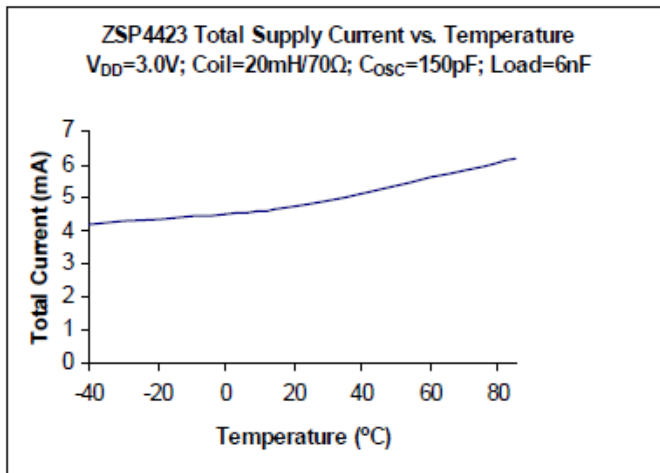


Figure 7. EL Differential Output Waveform of the EL1 and EL2 Outputs

9 Typical Performance Characteristics



10 Manufacturers

Coil Manufacturers

Hitachi Metals

Material Trading Division
2101 S. Arlington Heights Road,
Suite 116
Arlington Heights, IL 60005-4142
Phone: 1-800-777-8343 Ext. 12
(847) 364-7200 Ext. 12
Fax: (847) 364-7279

Hitachi Metals Ltd. Europe

Immernannstrasse 14-16, 40210
Dusseldorf, Germany
Contact: Gary Loos
Phone: 49-211-16009-0
Fax: 49-211-16009-29

Hitachi Metals Ltd.

Kishimoto Bldg. 2-1, Marunouchi
2-chome, Chiyoda-Ku, Tokyo,
Japan
Contact: Mr. Noboru Abe
Phone: 3-3284-4936
Fax: 3-3287-1945

Hitachi Metals Ltd. Singapore

78 Shenton Way #12-01,
Singapore 079120
Contact: Mr. Stan Kaiko
Phone: 222-8077
Fax: 222-5232

Hitachi Metals Ltd. Hong Kong

Room 1107, 11/F., West Wing,
Tsim Sha. Tsui Center 66
Mody Road, Tsimshatsui East,
Kowloon, Hong Kong
Phone: 2724-4188
Fax: 2311-2095

Murata

2200 Lake Park Drive, Smyrna
Georgia 30080 U.S.A.
Phone: (770) 436-1300
Fax: (770) 436-3030

Murata European

Holbeinstrasse 21-23, 90441
Numberg, Postfachanschrift 90015
Phone: 011-4991166870
Fax: 011-49116687225

Murata Taiwan Electronics

225 Chung-Chin Road, Taichung,
Taiwan, R.O.C.
Phone: 011 88642914151
Fax: 011 88644252929

Murata Electronics Singapore

200 Yishun Ave. 7, Singapore
2776, Republic of Singapore
Phone: 011 657584233
Fax: 011 657536181

Murata Hong Kong

Room 709-712 Miramar Tower, 1
Kimberly Road, Tsimshatsui,
Kowloon, Hong Kong
Phone: 011-85223763898
Fax: 011-85223755655

Panasonic.

6550 Katella Ave
Cypress, CA 90630-5102
Phone: (714) 373-7366
Fax: (714) 373-7323

Sumida Electric Co., LTD.

5999, New Wilke Road,
Suite #110
Rolling Meadows, IL, 60008 U.S.A.
Phone: (847) 956-0666
Fax: (847) 956-0702

Sumida Electric Co., LTD.

4-8, Kanamachi 2-Chrome,
Katsushika-ku, Tokyo 125 Japan
Phone: 03-3607-5111
Fax: 03-3607-5144

Sumida Electric Co., LTD.

Block 15, 996, Bendemeer Road
#04-05 to 06, Singapore 339944
Republic of Singapore
Phone: 2963388
Fax: 2963390

Sumida Electric Co., LTD.

14 Floor, Eastern Center, 1065
King's Road, Quarry Bay,
Hong Kong
Phone: 28806688
Fax: 25659600

Polarizers/Transflector Manufacturers

Nitto Denko

Yoshi Shinozuka
Bayside Business Park 48500
Fremont, CA. 94538
Phone: 510 445 5400
Fax: 510 445-5480

Top Polarizer- NPF F1205DU
Bottom - NPF F4225
or (F4205) P3 w/transflector

Transflector Material

Astra Products
Mark Bogin
P.O. Box 479
Baldwin, NJ 11510
Phone (516)-223-7500
Fax (516)-868-2371

EL Lamp Manufacturers

Leading Edge Ind. Inc.

11578 Encore Circle
Minnetonka, MN 55343
Phone 1-800-845-6992

Midori Mark Ltd.

1-5 Komagata 2-Chome
Taita-Ku 111-0043 Japan
Phone: 81-03-3848-2011

NEC Corporation

Yumi Saskai
7-1, Shiba 5 Chome, Minato-ku,
Tokyo 108-01, Japan
Phone: (03) 3798-9572
Fax: (03) 3798-6134



Seiko Precision

Shuzo Abe
1-1, Taihei 4-Chome,
Sumida-ku, Tokyo, 139 Japan
Phone: (03) 5610-7089
Fax: (03) 5610-7177

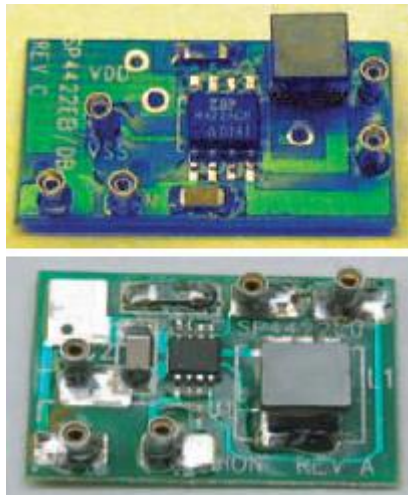
Gunze Electronics

2113 Wells Branch Parkway
Austin, TX 78728
Phone: (512) 752-1299
Fax: (512) 252-1181

11 Ordering Information

Part Number	Temperature Range	Package Type	Green Package
ZSP4423CN	-40°C to +85°C	8-pin nSOIC	N/A
ZSP4423LCN	-40°C to +85°C	8-pin nSOIC Green	
ZSP4423CU	-40°C to +85°C	8-pin MSOP	N/A
ZSP4423LCU	-40°C to +85°C	8-pin MSOP Green	
ZSP4423CX	0°C to +70°C	Die in Wafflepack	N/A
ZSP4423NEB	N/A	nSOIC Evaluation Board	N/A
ZSP4423UEB	N/A	MSOP Evaluation Board	N/A

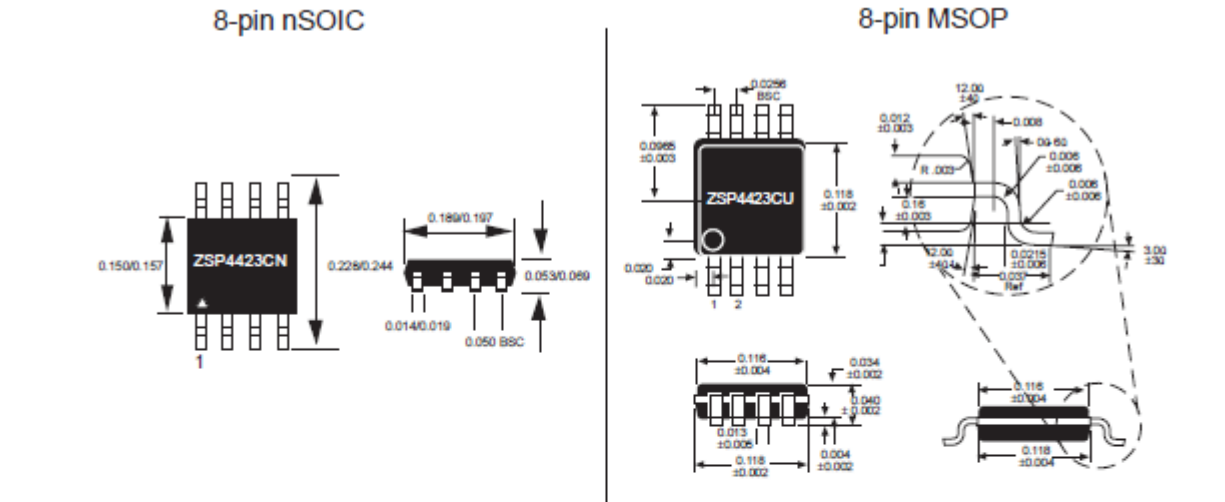
Please contact the factory for pricing and availability on Tape-on-Reel options.



Please contact the factory for EL driver design support and availability of custom-made evaluation demo boards. See our web site for AN007 Application Note regarding requirements for custom-made evaluation demo boards.

12 Package Information

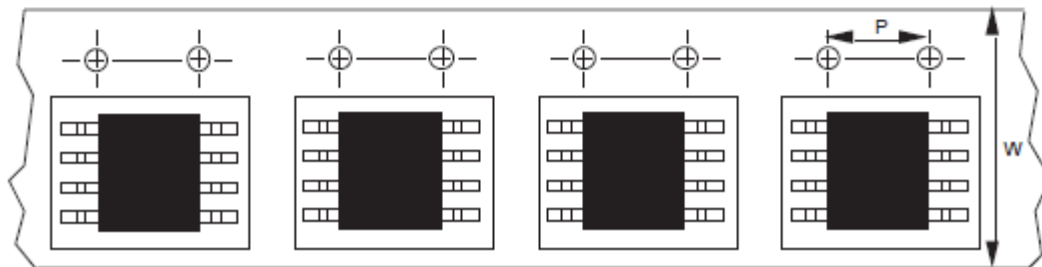
All package dimensions in inches



95 ZSP4423CN per tube



50 ZSP4423CU per tube



nSOIC-8 13" reels: P=8mm, W=12mm MSOP-8 13" reels: P=8mm, W=12mm			
Pkg.	Minimum qty per reel	Standard qty per reel	Maximum qty per reel
CN and CU	500	2500	3000



Revision History

Revision	Date	Comment
V0.2	2005/01/01	Initial release to customers
V2.00	2015/06/10	<ol style="list-style-type: none">1. Changed to ASIX Electronics Corp. logo, strings and contact information.2. Added ASIX copyright legal header information.3. Modified the Revision History table format.4. Modified some Vpp descriptions.



ASIX Electronics Corporation.

4F, No. 8, Hsin Ann Rd., HsinChu Science Park,
HsinChu, Taiwan, R.O.C.

TEL: 886-3-5799500

FAX: 886-3-5799558

Sales Email: sales@asix.com.tw
Support Email: support@asix.com.tw
Web: <http://www.asix.com.tw>