

Features

- Meets or Exceeds the EIA/TIA-232F and CCITT V.28/V.24 Specifications for V_{CC} at +3.3V ±10% and +5V ±10% Operations
- Interoperable with EIA/TIA-232 and adheres to EIA/TIA-562 down to a +2.7V power source
- Low quiescent current – 0.5mA typ., 1mA max
- Low shutdown current (where applicable) - 1µA typical, 10µA max
- Guaranteed data rate 250Kbps
- Proprietary Switch-Capacitor Regulated Voltage Converters (patent pending)

Product Brief

- Proprietary AUTOGREEN Power Saving (patent pending)
- Latch-up Free
- ESD Protection for RS-232 I/O's
 - ±15kV Human Body Model (HBM)
 - ±15kV IEC61000-4-2 Air Gap Discharge
 - ±8kV IEC61000-4-2 Contact Discharge
- Drop-in Replacements for MAX3243E, ICL3243E, ISL4243E, ST3243E and SP3243E
- High Data Rate at 1000Kbps Available on ZT3243F Series

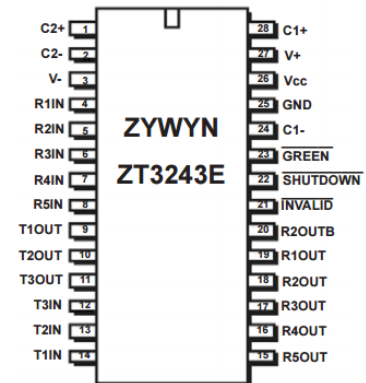
Product Description

The ZT3243E Series devices are 3V powered EIA/TIA-232 and V.28/V.24 communication interfaces with low power requirements. They consist of three line drivers, five line receivers and the proprietary switch-capacitor regulated voltage converters. These devices operate from a single 3V to 5.5V power supply at the guaranteed data rate of 250K bits/sec with enhanced electrostatic discharge (ESD) protection in all RS232 I/O pins exceeding ±15kV IEC61000-4-2 Air Gap Discharge and ±8kV IEC61000-4-2 Contact Discharge.

The ZT3243E Series feature the AUTOGREEN (patent pending) proprietary function which automatically powers down the on-chip regulated voltage converters and driver circuits when an RS-232 cable is disconnected from the host interface or when a connected peripheral device is turned off.

Target Applications

- Battery-Powered And Hand-Held Applications
- Notebooks, Subnotebooks, and Palmtops
- Industrial and Embedded PCs
- Data Cables for Cell Phones and PDAs
- Terminal Adapters and POS terminals
- Peripherals interface
- Routers and HUBs



28-pin SSOP/TSSOP/WSOIC

Product Selection Guide

Part Number	Power Supply	RS232 Drivers	RS232 Receivers	Data Rate (kbps)	15KV ESD IEC61000 4-2	Receiver Enable	SHUTDOWN Enable	AUTOGREEN Function	Package Types	Pin-to-Pin Cross Reference
ZT3241E	+3V to +5.5V	3	5	250	RS232 I/O	YES	YES	NO	28-SSOP, 28-TSSOP, 28-WSOIC	MAX3241E
ZT3243E	+3V to +5.5V	3	5	250	RS232 I/O	NO	YES	YES	28-SSOP, 28-TSSOP, 28-WSOIC, 32-VQFN	MAX3243E, ICL3243E, ISL4243E, SP3243E, ST3243E