

Features

- Meets EIA/TIA-232F and CCITT V.28/V.24 specifications for V_{CC} at $+5V \pm 10\%$
- Low Quiescent Current – 3mA typ., 6mA max
- Low Shutdown Current (where applicable) $-1\mu A$ typical, $10\mu A$ max
- Guaranteed Standard Data Rate 1000Kbps
- Proprietary Switch-Capacitor Regulated Voltage Converters (patent pending)
- Wake Up Feature in Shutdown Mode

Product Brief

- Tri-State Receiver Outputs
- Latch-up Free
- ESD Protection for RS-232 I/O's
 - $\pm 15kV$ Human Body Model (HBM)
- Drop-in Replacements for SP207EH, SP208EH, SP211EH, SP213EH
- Standard Data Rate at 250Kbps Available on ZT230E Series

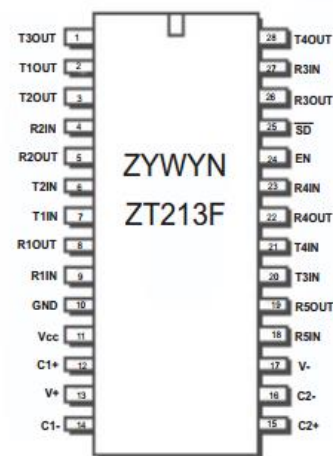
Product Description

The ZT230F series devices are 5V powered EIA/TIA-232 and V.28/V.24 communication interfaces with low power requirements. They consist of the combinations of five line drivers, five line receivers and the proprietary switch-capacitor regulated voltage converters.

The ZT211F and ZT213F feature a low power shutdown mode which draws as little current as $1\mu A$ typical with receiver outputs tri-stated and wake-up function. These devices operate from a single 5V power supply at the guaranteed data rate of 1000K bits/sec with enhanced electrostatic discharge (ESD) protection in all RS232 I/O pins exceeding $\pm 15kV$ HBM.

Target Applications

- Battery-Powered Applications
- Notebooks, Subnotebooks, and Palmtops
- Industrial and Embedded PCs
- Data Cables for Cell Phones and PDAs
- Terminal Adapters and POS terminals
- Peripherals interface
- Routers and HUBs



28-pin SSOP/WSOIC

Product Selection Guide

Part Number	# of RS232 Tx	# of RS232 Rx	# of Rx active in SD	# of 0.1 μF caps	Shut Down	Wake Up	TTL Tri-State	Data Rate (kbps)	ESD HBM on RS232 I/O	Pin-to-Pin Cross EXAR	Pin-to-Pin Cross MAXIM
ZT207F	5	3	0	4	No	No	No	1000	$\pm 15kV$	SP207EH	n/a
ZT208F	4	4	0	4	No	No	No	1000	$\pm 15kV$	SP208EH	n/a
ZT211F	4	5	0	4	Yes	No	Yes	1000	$\pm 15kV$	SP211EH	n/a
ZT213F	4	5	2	4	Yes	Yes	Yes	1000	$\pm 15kV$	SP213EH	n/a