

## Features

- Meets EIA/TIA-232F and CCITT V.28/V.24 specifications for  $V_{CC}$  at  $+5V \pm 10\%$
- Low Quiescent Current – 3mA typ., 5mA max
- Low Shutdown Current (where applicable) - 1 $\mu$ A typical, 5 $\mu$ A max
- Guaranteed Standard Data Rate 250Kbps
- Proprietary Switch-Capacitor Regulated Voltage Converters (patent pending)
- Use Small 0.1  $\mu$ F Capacitors
- Wake Up Feature (where applicable) in Shutdown Mode
- Tri-State Receiver Outputs
- Latch-up Free
- ESD Protection for RS-232 I/O's
  - $\pm 15$ kV Human Body Model (HBM)
- Drop-in Replacements for MAX202E, MAX232E, SP202E, SP232E, SP310E, SP312E, ST202E, ST232E, HIN202E, HIN232E, ADM202E,ADM232L
- High Data Rate at 1000Kbps Available on ZT232F Series

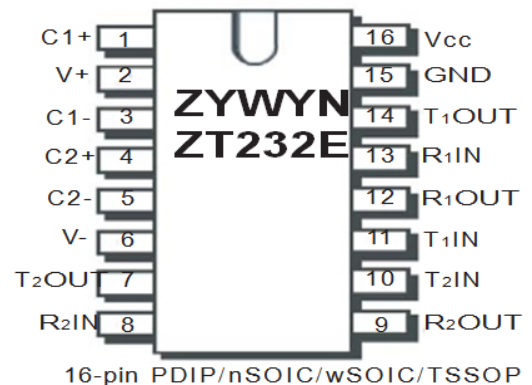
## Product Brief

### Product Description

The ZT232E series devices are +5V powered EIA/TIA-232 and CCITT V.28/V.24 communication interfaces with low power requirements. These transceivers consist of two line drivers, two line receivers and the proprietary switch-capacitor regulated voltage converters. These devices operate from a single +5V power supply at the guaranteed data rate of 250K bits/sec with enhanced electrostatic discharge (ESD) protection in all RS232 I/O pins exceeding  $\pm 15$ kV HBM.

### Target Applications

- Single Power Supply Applications
- Industrial and Embedded PCs
- Set Top Boxes
- Terminal Adapters
- POS terminals
- Peripherals Interface
- Routers and HUBs



### Product Selection Guide

Part Number	# Of RS232 Tx	# of RS232 Rx	# of Rx active in SD	# of 0.1 $\mu$ F caps	Shut Down	Wake Up	TTL Tri-State	Data Rate (kbps)	ESD HBM on RS232 I/O	Pin-to-Pin Cross Reference <a href="#">AN003</a>
ZT202E	2	2	0	4	No	No	No	250	$\pm 15$ kV	Analog Devices, Intersil,
ZT232E	2	2	0	4	No	No	No	250	$\pm 15$ kV	Maxim, EXAR, STmicro, TI